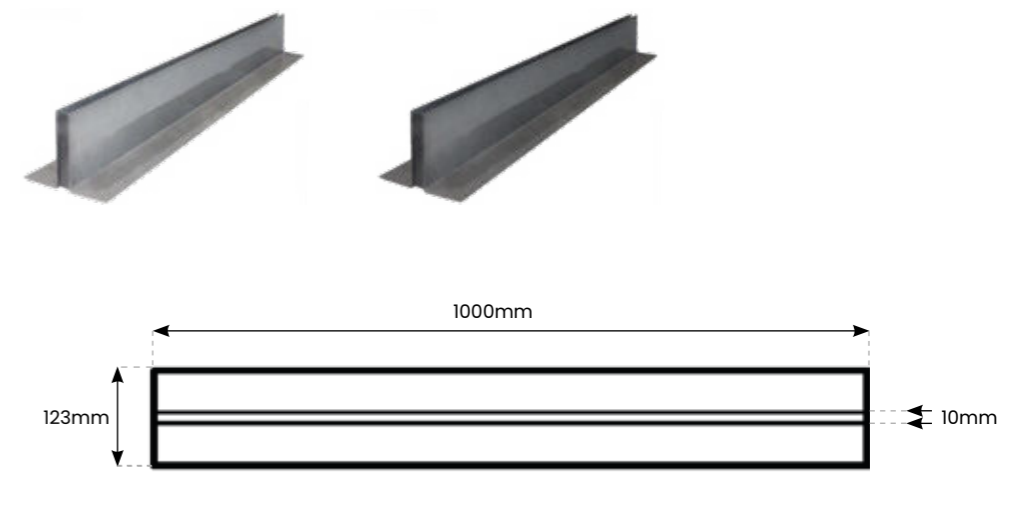
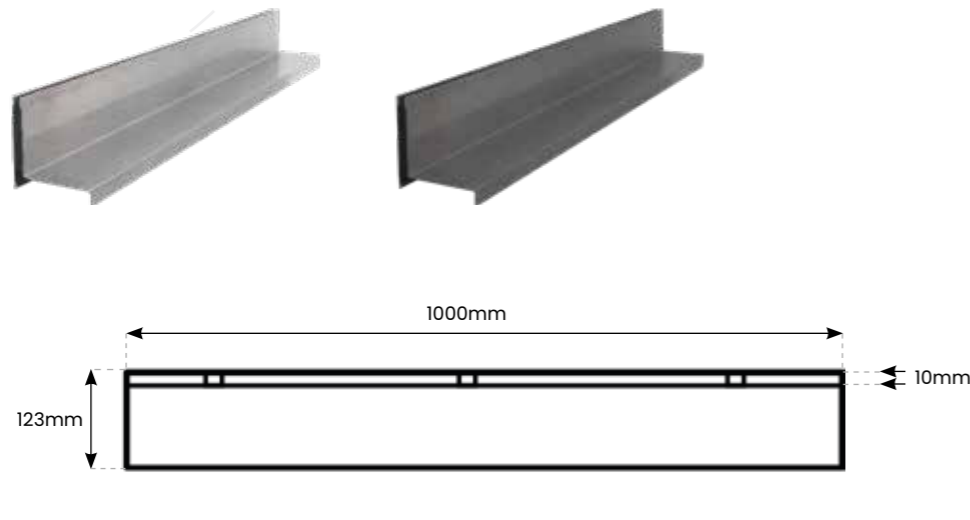




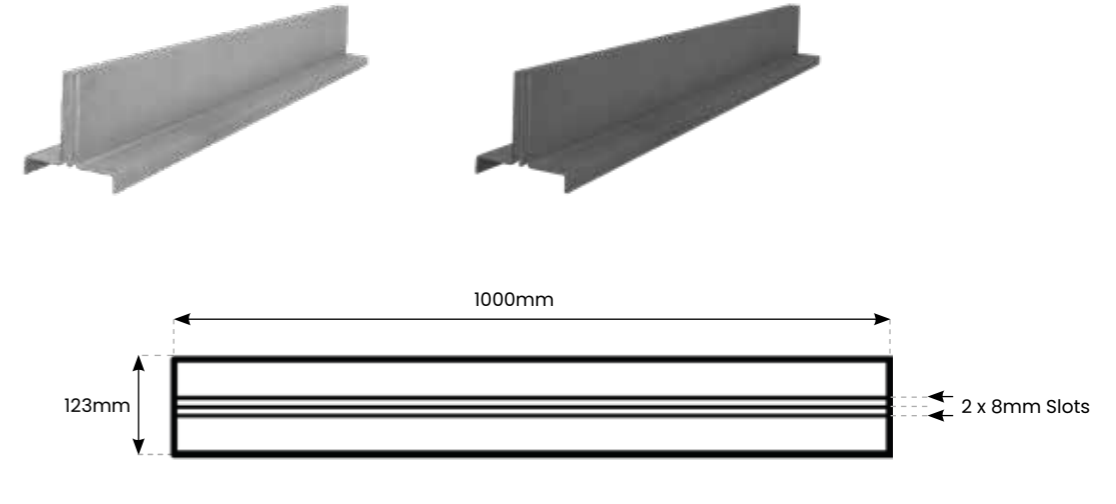
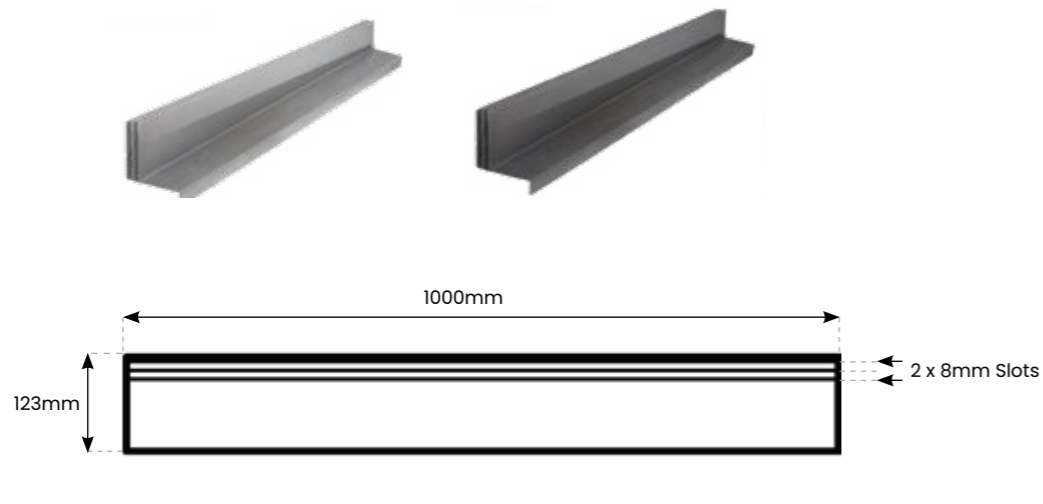
KE 100 Paveslot **DATASHEET**

Service . Range . Knowledge



Reference	Description	Length (mm)	Slot Width	Overall Width	Load Class	Upstand (u)
OS.10060.P.G	Galvanised Offset Single Paveslot 60mm	500/1000	10mm	123mm	C/D	60mm
OS.10105.P.G	Galvanised Offset Single Paveslot 105mm	500/1000	10mm	123mm	C/D	105mm
OS.10150.P.G	Galvanised Offset Single Paveslot 150mm	500/1000	10mm	123mm	C/D	150mm
OS.10060.P.SS	Stainless Steel Offset Single Paveslot 60mm	500/1000	10mm	123mm	C/D	60mm
OS.10105.P.SS	Stainless Steel Offset Single Paveslot 105mm	500/1000	10mm	123mm	C/D	105mm
OS.10150.P.SS	Stainless Steel Offset Single Paveslot 150mm	500/1000	10mm	123mm	C/D	150mm

Reference	Description	Length (mm)	Slot Width	Overall Width	Load Class	Upstand (u)
CS.10060.P.G	Galvanised Centre Single Paveslot 60mm	500/1000	10mm	123mm	C/D	60mm
CS.10105.P.G	Galvanised Centre Single Paveslot 105mm	500/1000	10mm	123mm	C/D	105mm
CS.10150.P.G	Galvanised Centre Single Paveslot 150mm	500/1000	10mm	123mm	C/D	150mm
CS.10060.P.SS	Stainless Steel Centre Single Paveslot 60mm	500/1000	10mm	123mm	C/D	60mm
CS.10105.P.SS	Stainless Steel Centre Single Paveslot 105mm	500/1000	10mm	123mm	C/D	105mm
CS.10150.P.SS	Stainless Steel Centre Single Paveslot 150mm	500/1000	10mm	123mm	C/D	150mm



Reference	Description	Length (mm)	Slot Width	Overall Width	Load Class	Upstand (u)
OT.10060.P.G	Galvanised Offset Twin Paveslot 60mm	500/1000	2x8mm	123mm	C/D	60mm
OT.10105.P.G	Galvanised Offset Twin Paveslot 105mm	500/1000	2x8mm	123mm	C/D	105mm
OT.10150.P.G	Galvanised Offset Twin Paveslot 150mm	500/1000	2x8mm	123mm	C/D	150mm
OT.10060.P.SS	Stainless Steel Offset Twin Paveslot 60mm	500/1000	2x8mm	123mm	C/D	60mm
OT.10105.P.SS	Stainless Steel Offset Twin Paveslot 105mm	500/1000	2x8mm	123mm	C/D	105mm
OT.10150.P.SS	Stainless Steel Offset Twin Paveslot 150mm	500/1000	2x8mm	123mm	C/D	150mm

Reference	Description	Length (mm)	Slot Width	Overall Width	Load Class	Upstand (u)
CT.10060.P.G	Galvanised Centre Twin Paveslot 60mm	500/1000	2x8mm	123mm	C/D	60mm
CT.10105.P.G	Galvanised Centre Twin Paveslot 105mm	500/1000	2x8mm	123mm	C/D	105mm
CT.10150.P.G	Galvanised Centre Twin Paveslot 150mm	500/1000	2x8mm	123mm	C/D	150mm
CT.10060.P.SS	Stainless Steel Centre Twin Paveslot 60mm	500/1000	2x8mm	123mm	C/D	60mm
CT.10105.P.SS	Stainless Steel Centre Twin Paveslot 105mm	500/1000	2x8mm	123mm	C/D	105mm
CT.10150.P.SS	Stainless Steel Centre Twin Paveslot 150mm	500/1000	2x8mm	123mm	C/D	150mm



Polycon Surface Water Drainage

**Widnes Business Park
Foundry Lane
Widnes
Cheshire
WA8 8UB**

**www.polycon.co.uk
0151 422 9747
sales@polycon.co.uk**

Service . Range . Knowledge