



**LITE** *Prem 200*  
**DATASHEET**

*Service . Range . Knowledge*

# LITE Prem 200

The Lite Prem 200 is a durable, flexible, lightweight drainage system with A15 load capacity. An optional attachable edge rail provides additional strength and durability, making it highly adaptable.



## DATA SHEET

### Gratings



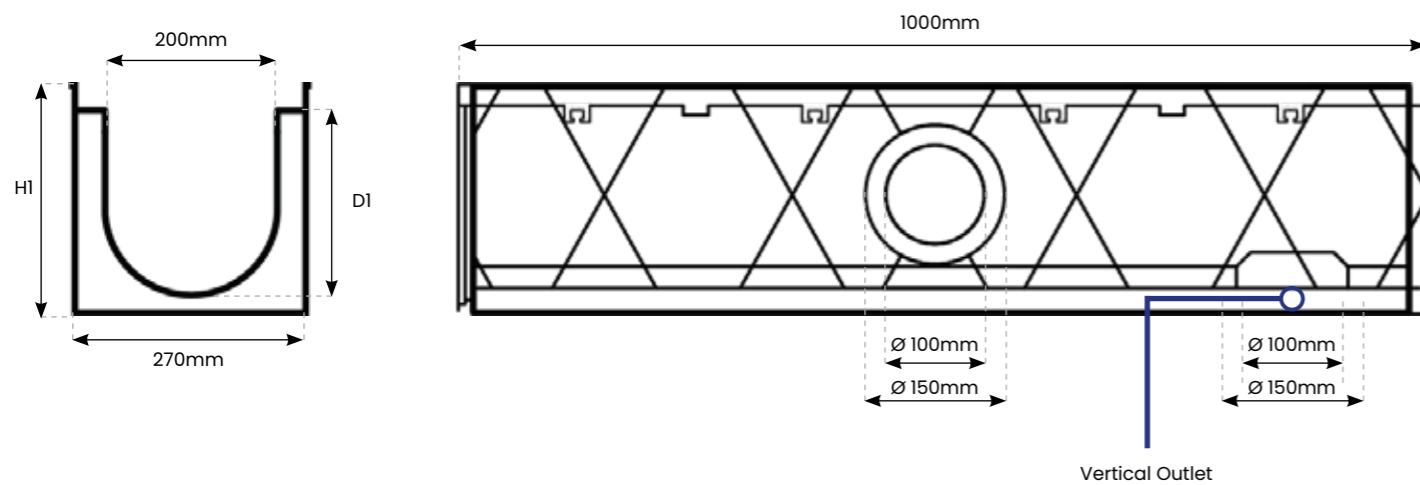
Composite Slotted Black (A15)



Composite Slotted Black + Stainless Steel Edge Rail (A15)

\* The Lite Prem channel, without the edge rail, supports load classes from A15 to C250, depending on the grating used.  
 \*\* The channel itself can handle up to F900, but to achieve any load class from C250 to F900, the channel must be equipped with the optional edge rail for enhanced performance and strength.

### Lite Prem 200 - Diagram



### Accessories



Stainless Steel Edge Rail



Bolt & Bar



Side Clamp



End Cap Outlet



Composite Corner Unit

### Lite Prem 200 - Specifications

Reference	Description	Overall Depth (H1)	Internal Depth (D1)	Overall Width	Internal Width	Length	Vertical Outlet	Load Class
LP.200.CSB	Lite Prem 200 Composite Slotted Black Grating	240mm	220mm	270mm	200mm	1000mm	100/150mm	A15
LP.200.CSB.ER	Lite Prem 200 + Edge Rail Composite Slotted Black Grating	240mm	220mm	275mm	200mm	1000mm	100/150mm	A15

### Accessories - Specifications

Reference	Description	Height	Overall Width	Length	Outlet
CU.LP.200	Lite Prem 200 Corner Unit	240mm	295mm	295mm	-
ECO.LP.200	Lite Prem 200 End Cap Outlet	233mm	265mm	28mm	100/150mm
LP.200.CSBG	Lite Prem 200 Composite Slotted Black Grating	19mm	240mm	500mm	-



**Polycon Surface Water Drainage**

**Widnes Business Park  
Foundry Lane  
Widnes  
Cheshire  
WA8 8UB**

**[www.polycon.co.uk](http://www.polycon.co.uk)  
0151 422 9747  
[sales@polycon.co.uk](mailto:sales@polycon.co.uk)**

***Service . Range . Knowledge***