



SlotTube

DATASHEET

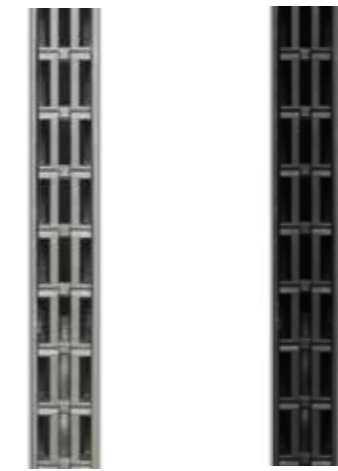
Service . Range . Knowledge

SlotTube

SlotTube offers an interlocking grating with a minimal design, allowing the channel to be easily installed whilst also blending in most areas of use. Not only does the SlotTube create a visual impact when used because of its minimal and sleek grating design, but it also allows for greater water flow as it has a high capacity to hold, carry & transport water.



DATA SHEET



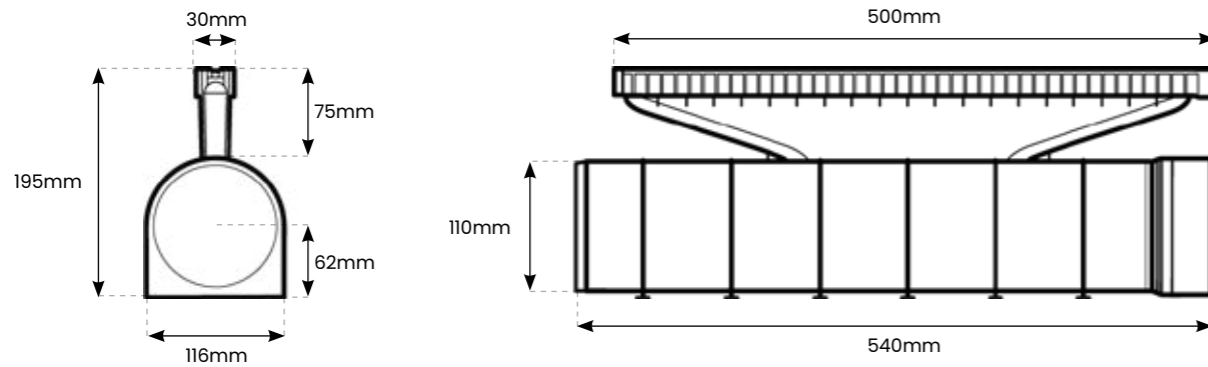
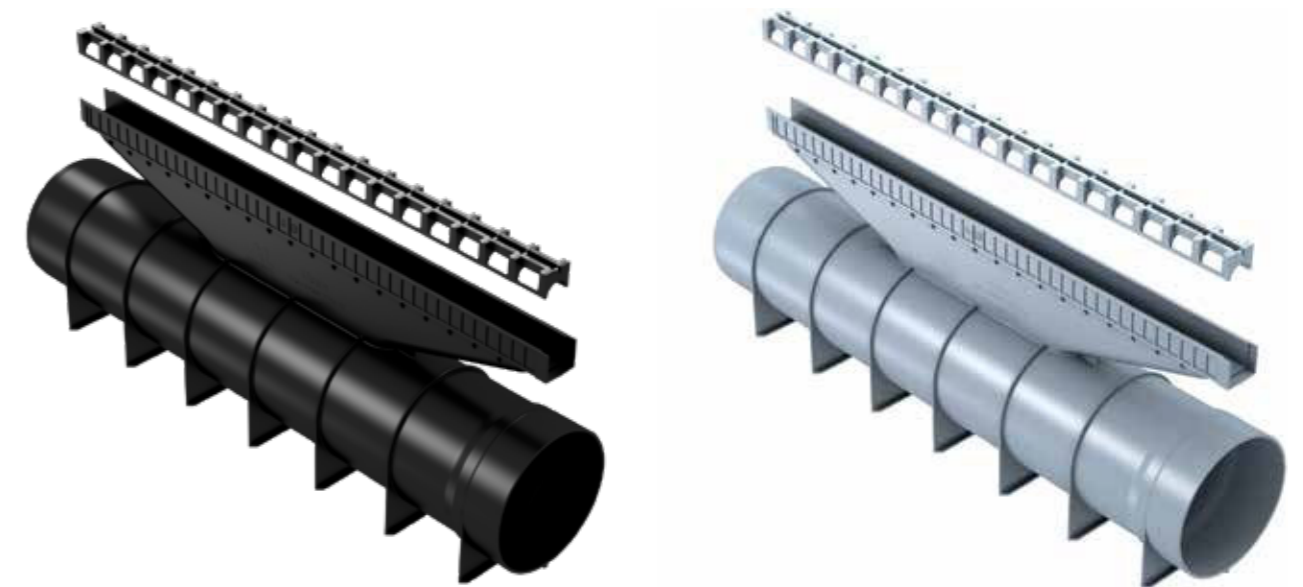
Grey Grating
(C250)

Black Grating
(C250)

Channel / Grating - Specifications

Reference	Description	Overall Width	Slot Width	Overall Depth	Upstand Depth	Tube Diameter	Load Class	SafeHeel
GR.ST.G	SlotTube Channel + Grey Grating	116mm	30mm	195mm	75mm	110mm	A/B/C	Yes
GR.ST.B	SlotTube Channel + Black Grating	116mm	30mm	195mm	75mm	110mm	A/B/C	Yes

Colour Options



End Cap



Gully Unit

Accessories - Specifications

Reference	Description	Height (mm)	Overall Width	Weight (KG)	Load Class	Outlet
ST.GU	SlotTube Gully Unit	320mm	220mm	-	A/B/C	110mm
ST.EC.F	SlotTube Female End Cap	48mm	120mm	-	-	-
ST.EC.M	SlotTube Male End Cap	48mm	110mm	-	-	-



Polycon Surface Water Drainage

**Widnes Business Park
Foundry Lane
Widnes
Cheshire
WA8 8UB**

**www.polycon.co.uk
0151 422 9747
sales@polycon.co.uk**

Service . Range . Knowledge