



polycon
surface water drainage

SF 300

DATASHEET

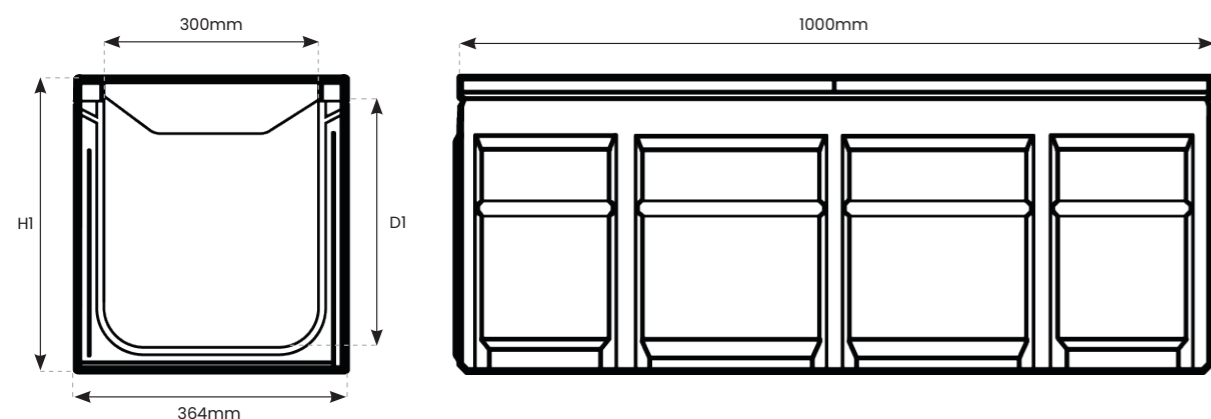
Service . Range . Knowledge

SF 300

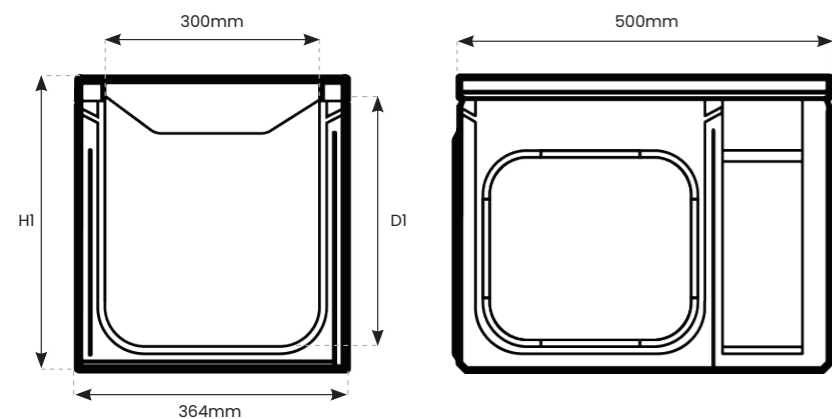
Polycon's SF 300 drainage channels offer a comprehensive solution for effective water management. With their Unilink Joint System, heavy-duty design, polymer concrete construction, ductile iron edge, and rapid lock fastening, they provide a durable, versatile, and efficient solution for draining water and managing surface runoff in demanding environments. These channels are ideal for areas where strength, longevity, and ease of installation are paramount.



1000mm Channel Diagram



500mm Channel Diagram



Polymer concrete:	Polyester resin-based with mineral aggregates, additives.
Compressive strength:	> 90 N/mm ²
Bending tensile strength:	> 22 N/mm ²
Modulus of elasticity:	ca. 25 kN/mm ²
Density:	2.1 - 2.3 g/cm ³
Water penetration depth:	0 mm
Heat resistance:	100°C
Frost resistance:	-50°C
Water absorption:	0.05 %

Channel Types

Reference	Description	Length	Overall Width	Internal Width	Overall Depth(HI)	Internal Depth(DI)	Weight
SF.300	SF - 300 Channel*	1000mm	364mm	300mm	390mm	370mm	64kg
SF.300.R	SF - 300 Channel R***	1000mm	364mm	300mm	390mm	370mm	64kg
SF.300.5	SF - 300 Channel /5**/*	500mm	364mm	300mm	390mm	370mm	35kg
SF.300.160.P	SF - 300 Channel P*	1000mm	364mm	300mm	160mm	140mm	46kg
SF.300.160.PR	SF - 300 Channel PR*	1000mm	364mm	300mm	160mm	140mm	46kg

* Channel with mouldings for vertical outlet DA/OD 200
 ** Channel with sidewise perforations for the connection of t-junctions, elbow joints and cross-over joints
 *** Channel with DA/OD 200 poured pipe socket



Accessories- Specifications

Reference	Description	Length	Height (H)	Overall Width	Weight (KG)	Outlet
SF.300.SUT	SF 300 Sump Unit Top	500mm	390mm	364mm	30kg	200mm
SF.300.SUB	SF 300 Sump Unit Base	480mm	645mm	330mm	43.2kg	200mm
SF.300.EC	SF 300 End Cap	20mm	160-390mm	364mm	5.2kg	-
SF.300.ECO	SF 300 End Cap Outlet	30mm	390mm	364mm	9.1kg	200mm
SF.300.PS.160	SF 300 Pipe Socket 160mm	160mm	-	160mm	0.6kg	-
SF.300.PS.200	SF 300 Pipe Socket 200mm	200mm	-	200mm	0.8kg	-



Grating Properties

Type:	OvalGrip slotted cast iron grating
Material:	EN-GJS cast iron
Length:	500mm
Inlet cross-section:	490 cm ² /m, 680cm ² /m, 916cm ² /m, 1196 cm ² /m
Fastening:	GJS Cast edge rail

DATA SHEET



Polycon Surface Water Drainage

**Widnes Business Park
Foundry Lane
Widnes
Cheshire
WA8 8UB**

**www.polycon.co.uk
0151 422 9747
sales@polycon.co.uk**

Service . Range . Knowledge