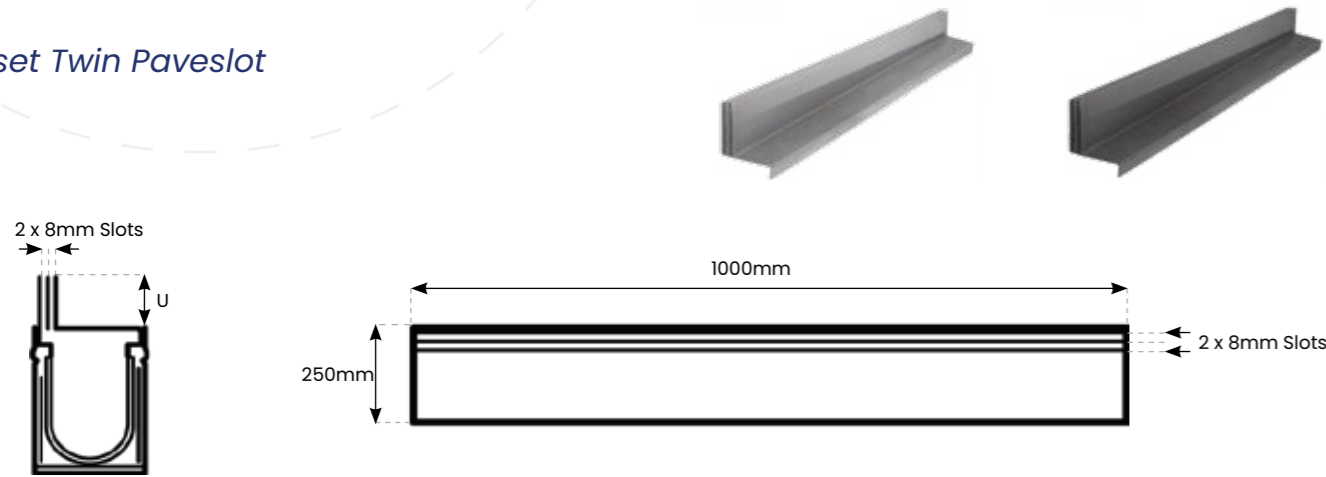




KE 200 Paveslot
DATASHEET

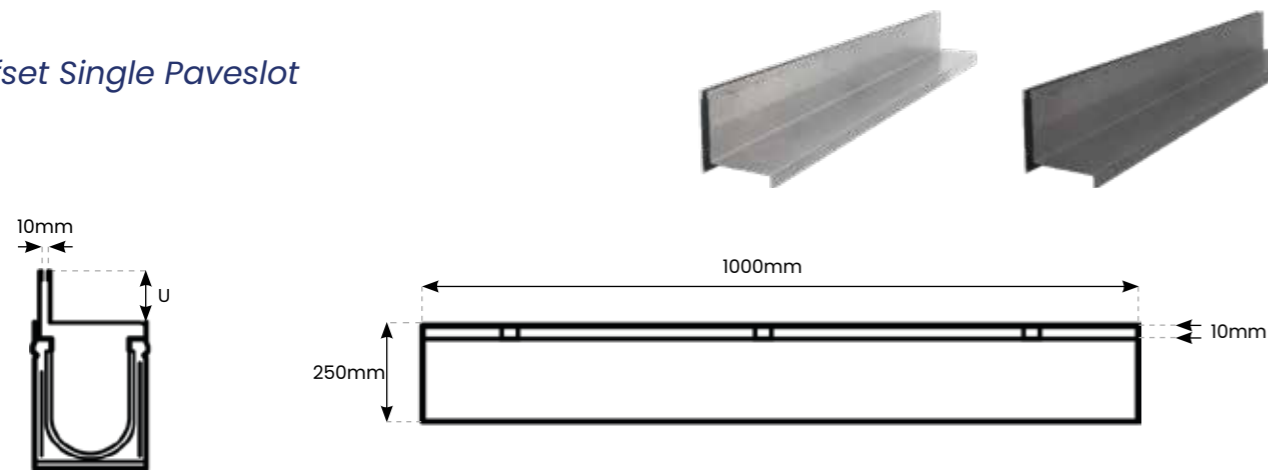
Service . Range . Knowledge

Offset Twin Paveslot



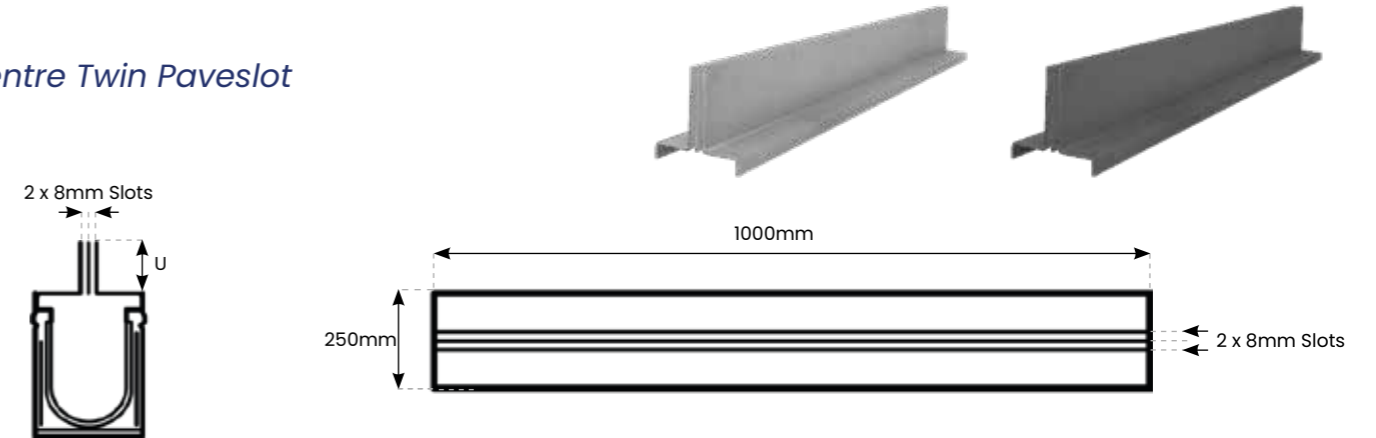
Reference	Description	Length (mm)	Slot Width	Overall Width	Load Class	Upstand (u)
OT.20060.P.G	Galvanised Offset Twin Paveslot 60mm	1000	2x8mm	250mm	C/D	60mm
OT.20105.P.G	Galvanised Offset Twin Paveslot 105mm	1000	2x8mm	250mm	C/D	105mm
OT.20150.P.G	Galvanised Offset Twin Paveslot 150mm	1000	2x8mm	250mm	C/D	150mm
OT.20060.P.SS	Stainless Steel Offset Twin Paveslot 60mm	1000	2x8mm	250mm	C/D	60mm
OT.20105.P.SS	Stainless Steel Offset Twin Paveslot 105mm	1000	2x8mm	250mm	C/D	105mm
OT.20150.P.SS	Stainless Steel Offset Twin Paveslot 150mm	1000	2x8mm	250mm	C/D	150mm

Offset Single Paveslot



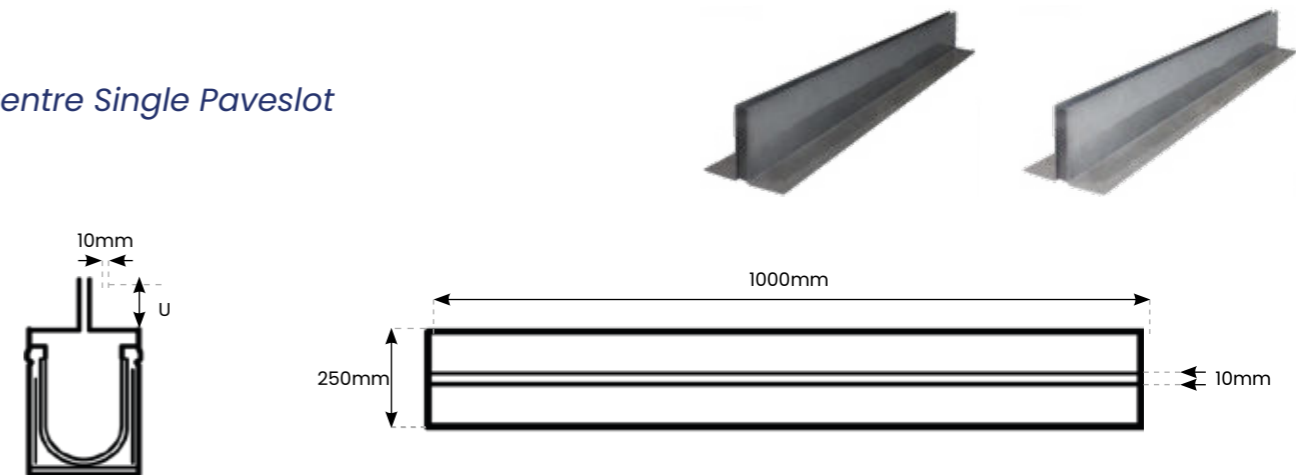
Reference	Description	Length (mm)	Slot Width	Overall Width	Load Class	Upstand (u)
OS.20060.P.G	Galvanised Offset Single Paveslot 60mm	1000	10mm	250mm	C/D	60mm
OS.20105.P.G	Galvanised Offset Single Paveslot 105mm	1000	10mm	250mm	C/D	105mm
OS.20150.P.G	Galvanised Offset Single Paveslot 150mm	1000	10mm	250mm	C/D	150mm
OS.20060.P.SS	Stainless Steel Offset Single Paveslot 60mm	1000	10mm	250mm	C/D	60mm
OS.20105.P.SS	Stainless Steel Offset Single Paveslot 105mm	1000	10mm	250mm	C/D	105mm
OS.20150.P.SS	Stainless Steel Offset Single Paveslot 150mm	1000	10mm	250mm	C/D	150mm

Centre Twin Paveslot



Reference	Description	Length (mm)	Slot Width	Overall Width	Load Class	Upstand (u)
CT.20060.P.G	Galvanised Centre Twin Paveslot 60mm	1000	2x8mm	250mm	C/D	60mm
CT.20105.P.G	Galvanised Centre Twin Paveslot 105mm	1000	2x8mm	250mm	C/D	105mm
CT.20150.P.G	Galvanised Centre Twin Paveslot 150mm	1000	2x8mm	250mm	C/D	150mm
CT.20060.P.SS	Stainless Steel Centre Twin Paveslot 60mm	1000	2x8mm	250mm	C/D	60mm
CT.20105.P.SS	Stainless Steel Centre Twin Paveslot 105mm	1000	2x8mm	250mm	C/D	105mm
CT.20150.P.SS	Stainless Steel Centre Twin Paveslot 150mm	1000	2x8mm	250mm	C/D	150mm

Centre Single Paveslot



Reference	Description	Length (mm)	Slot Width	Overall Width	Load Class	Upstand (u)
CS.20060.P.G	Galvanised Centre Single Paveslot 60mm	1000	10mm	250mm	C/D	60mm
CS.20105.P.G	Galvanised Centre Single Paveslot 105mm	1000	10mm	250mm	C/D	105mm
CS.20150.P.G	Galvanised Centre Single Paveslot 150mm	1000	10mm	250mm	C/D	150mm
CS.20060.P.SS	Stainless Steel Centre Single Paveslot 60mm	1000	10mm	250mm	C/D	60mm
CS.20105.P.SS	Stainless Steel Centre Single Paveslot 105mm	1000	10mm	250mm	C/D	105mm
CS.20150.P.SS	Stainless Steel Centre Single Paveslot 150mm	1000	10mm	250mm	C/D	150mm



Polycon Surface Water Drainage

**Widnes Business Park
Foundry Lane
Widnes
Cheshire
WA8 8UB**

**www.polycon.co.uk
0151 422 9747
sales@polycon.co.uk**

Service . Range . Knowledge