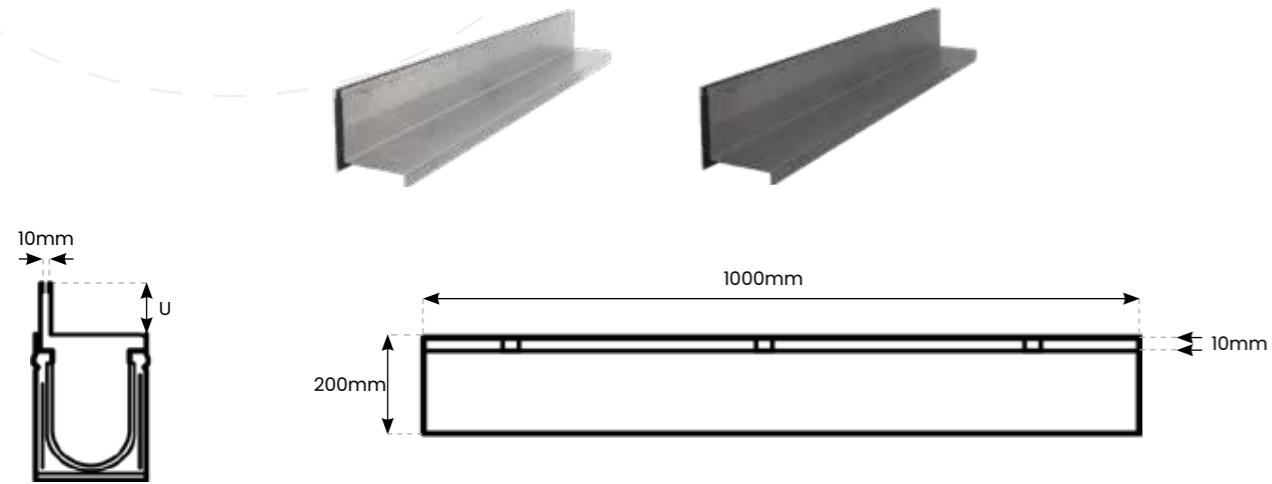




KE 150 Paveslot **DATASHEET**

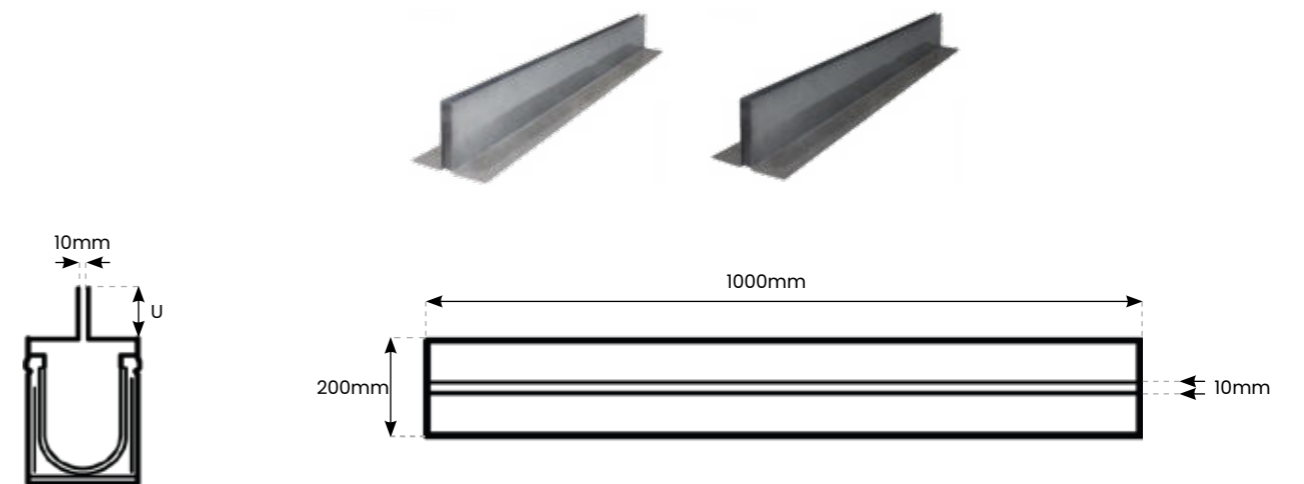
Service . Range . Knowledge

Offset Single Paveslot



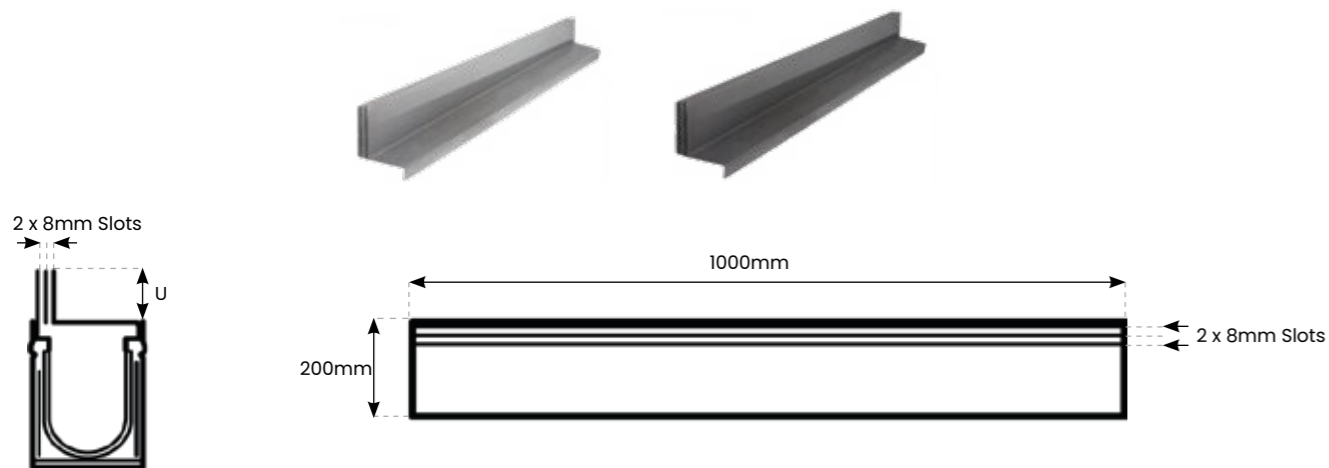
Reference	Description	Length (mm)	Slot Width	Overall Width	Load Class	Upstand (u)
OS.15060.P.G	Galvanised Offset Single Paveslot 60mm	500/1000	10mm	200mm	C/D	60mm
OS.15105.P.G	Galvanised Offset Single Paveslot 105mm	500/1000	10mm	200mm	C/D	105mm
OS.15150.P.G	Galvanised Offset Single Paveslot 150mm	500/1000	10mm	200mm	C/D	150mm
OS.15060.P.SS	Stainless Steel Offset Single Paveslot 60mm	500/1000	10mm	200mm	C/D	60mm
OS.15105.P.SS	Stainless Steel Offset Single Paveslot 105mm	500/1000	10mm	200mm	C/D	105mm
OS.15150.P.SS	Stainless Steel Offset Single Paveslot 150mm	500/1000	10mm	200mm	C/D	150mm

Centre Single Paveslot



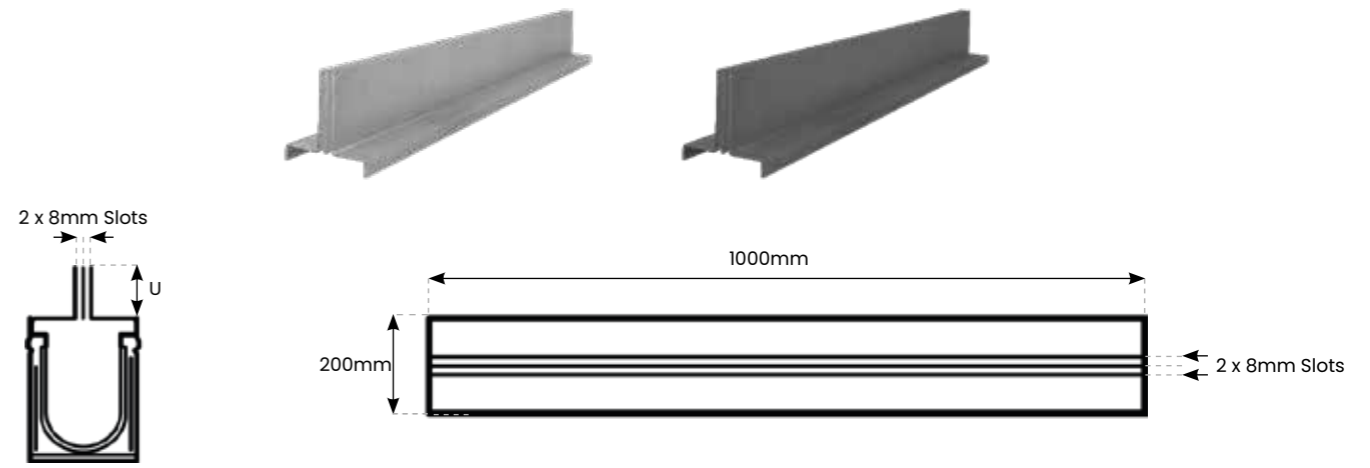
Reference	Description	Length (mm)	Slot Width	Overall Width	Load Class	Upstand (u)
CS.15060.P.G	Galvanised Centre Single Paveslot 60mm	500/1000	10mm	200mm	C/D	60mm
CS.15105.P.G	Galvanised Centre Single Paveslot 105mm	500/1000	10mm	200mm	C/D	105mm
CS.15150.P.G	Galvanised Centre Single Paveslot 150mm	500/1000	10mm	200mm	C/D	150mm
CS.15060.P.SS	Stainless Steel Centre Single Paveslot 60mm	500/1000	10mm	200mm	C/D	60mm
CS.15105.P.SS	Stainless Steel Centre Single Paveslot 105mm	500/1000	10mm	200mm	C/D	105mm
CS.15150.P.SS	Stainless Steel Centre Single Paveslot 150mm	500/1000	10mm	200mm	C/D	150mm

Offset Twin Paveslot



Reference	Description	Length (mm)	Slot Width	Overall Width	Load Class	Upstand (u)
OT.15060.P.G	Galvanised Offset Twin Paveslot 60mm	500/1000	2x8mm	200mm	C/D	60mm
OT.15105.P.G	Galvanised Offset Twin Paveslot 105mm	500/1000	2x8mm	200mm	C/D	105mm
OT.15150.P.G	Galvanised Offset Twin Paveslot 150mm	500/1000	2x8mm	200mm	C/D	150mm
OT.15060.P.SS	Stainless Steel Offset Twin Paveslot 60mm	500/1000	2x8mm	200mm	C/D	60mm
OT.15105.P.SS	Stainless Steel Offset Twin Paveslot 105mm	500/1000	2x8mm	200mm	C/D	105mm
OT.15150.P.SS	Stainless Steel Offset Twin Paveslot 150mm	500/1000	2x8mm	200mm	C/D	150mm

Centre Twin Paveslot



Reference	Description	Length (mm)	Slot Width	Overall Width	Load Class	Upstand (u)
CT.15060.P.G	Galvanised Centre Twin Paveslot 60mm	500/1000	2x8mm	200mm	C/D	60mm
CT.15105.P.G	Galvanised Centre Twin Paveslot 105mm	500/1000	2x8mm	200mm	C/D	105mm
CT.15150.P.G	Galvanised Centre Twin Paveslot 150mm	500/1000	2x8mm	200mm	C/D	150mm
CT.15060.P.SS	Stainless Steel Centre Twin Paveslot 60mm	500/1000	2x8mm	200mm	C/D	60mm
CT.15105.P.SS	Stainless Steel Centre Twin Paveslot 105mm	500/1000	2x8mm	200mm	C/D	105mm
CT.15150.P.SS	Stainless Steel Centre Twin Paveslot 150mm	500/1000	2x8mm	200mm	C/D	150mm



Polycon Surface Water Drainage

**Widnes Business Park
Foundry Lane
Widnes
Cheshire
WA8 8UB**

**www.polycon.co.uk
0151 422 9747
sales@polycon.co.uk**

Service . Range . Knowledge