



polycon
surface water drainage

THRESHOLD *Luxe*

Service . Range . Knowledge

Welcome To Polycon

Polycon is identified as one of the leading manufacturers, distributors, and suppliers of channel drainage in the UK. We focus on creating a diverse range of water solutions, in various materials, including composite, polymer concrete, SMC, and steel.

Polycon's unique look at the market and expert knowledge of the industry ensures we can supply a wide range of high-quality products suitable for any application. This includes building drainage, landscaping, sports facilities, distribution centres, highways, and airports.

Our design team provides innovative and efficient hydraulic solutions to ensure we can offer your drainage needs the best product/solution. We have a vast and experienced overview of our working industry and have been manufacturing, distributing, and selling channel drainage for over 8 years. We thrive on acting upon your feedback to improve and develop our products to fit flawlessly with the constantly changing market and demand from our customers.

At Polycon we focus our attention on professionals who sit within the construction industry, targeting our products to specifiers, architects, engineers, and contractors. Therefore, we understand the importance of expanding our product portfolio to create the most efficient surface water drainage systems.

We are a dynamic and evolving company with a focus on quality, innovation, and service. As a result, you can rely on us to handle your project needs in every way to the best of our ability.

Contents

<i>Threshold Luxe</i>	<i>3</i>
<i>Threshold Luxe - Overview</i>	<i>5</i>
<i>Threshold Luxe - 100mm</i>	<i>7</i>
<i>Installation Guide</i>	<i>9</i>

Service • Range • Knowledge

THRESHOLD *Luxe*

The Threshold Drainage systems offer a host of advantages that make them a preferred choice in various applications. These systems excel at collecting and swiftly discarding water, ensuring efficient drainage. Whether it's heavy rain or spillage, they efficiently redirect water away from the entrance of doorways, effectively preventing potential flooding and water damage. This rapid water management enhances safety and reduces maintenance costs.

The Threshold drainage systems are extremely lightweight. Their design simplifies handling and installation and contributes to their long-term durability. Furthermore, they are resistant to chemicals and rust, ensuring that they maintain their functionality and appearance even in challenging environments.

The discreet, minimalistic design of the system blends seamlessly with various architectural styles, adding aesthetic value. Additionally, they are simple to cut with a mitre saw, making customisation a breeze. Installation is straightforward, as they do not require trenches, saving a lot of time and effort. Their water-tight and secure protection, along with a no-directional design that mitigates the need for right- or left-hand fittings, makes Threshold Drainage systems an efficient and cost-effective solution for managing water and ensuring structural integrity.

Load Class



A15
1.5 tonnes

Applications

- Patios
- Gardens
- Decking
- Pool Areas
- Pedestrian Areas

THRESHOLD *Luxe*

VIRTUAL LANDSCAPE

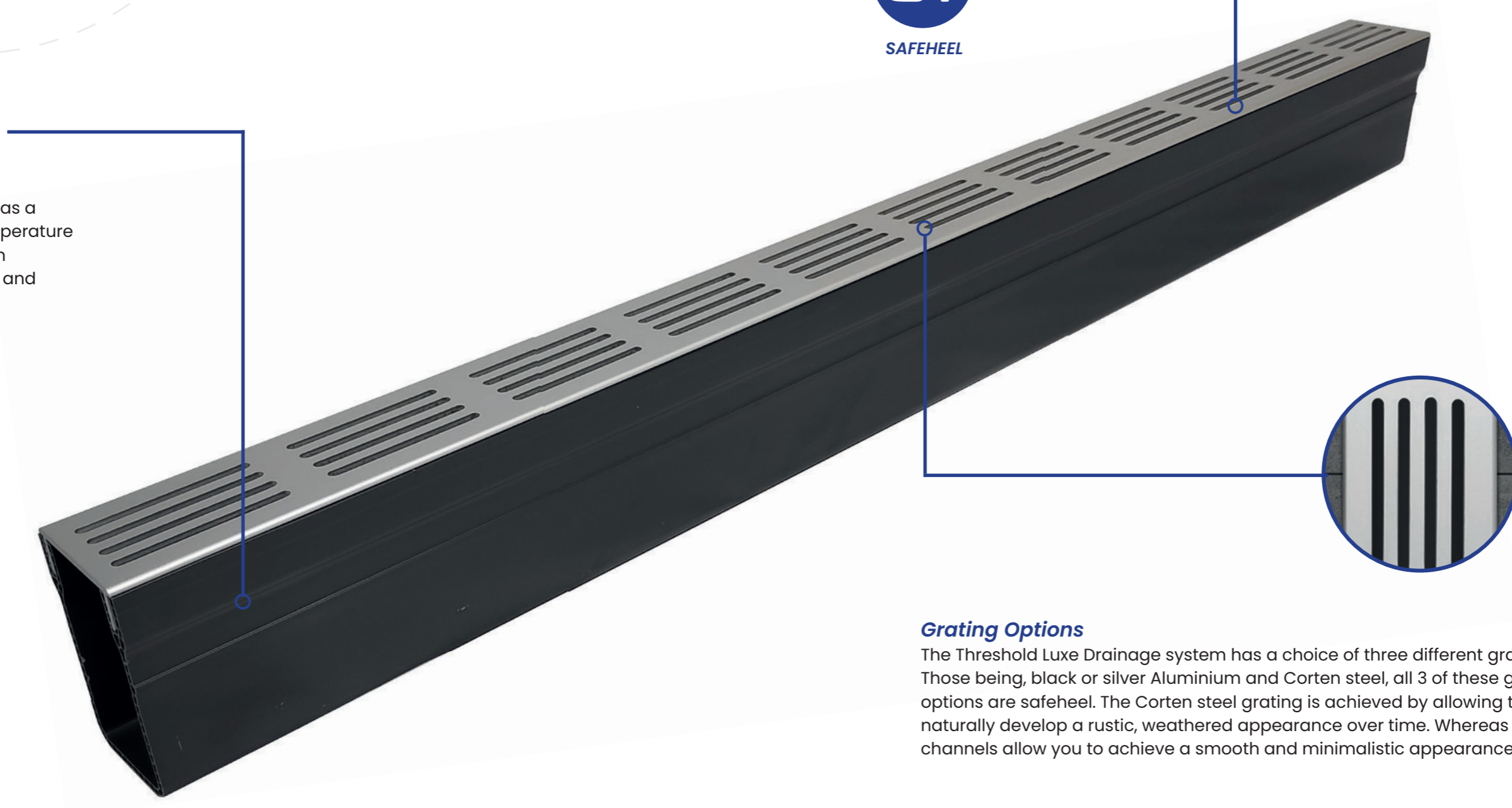
Not sure what you are looking for? Check out our Threshold systems against multiple paving backgrounds on our virtual landscape feature. You can mix and match gratings against multiple backgrounds to achieve the ultimate desired look. Each visual can be downloaded as a PDF and sent to customers along with a technical overview of your chosen system. Try today at www.polycon.co.uk.



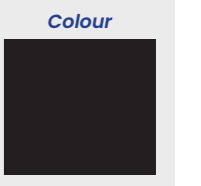
THRESHOLD Luxe - Overview

Material

The Threshold Luxe is manufactured from Polypropylene which has a high resistance to temperature changes, making them suitable for residential and pedestrian areas.



Channel Colour Options



Grating Options

The Threshold Luxe Drainage system has a choice of three different grating tops. Those being, black or silver Aluminium and Corten steel, all 3 of these grating options are safeheel. The Corten steel grating is achieved by allowing the channel to naturally develop a rustic, weathered appearance over time. Whereas the aluminium channels allow you to achieve a smooth and minimalistic appearance.

Load Classes



A15

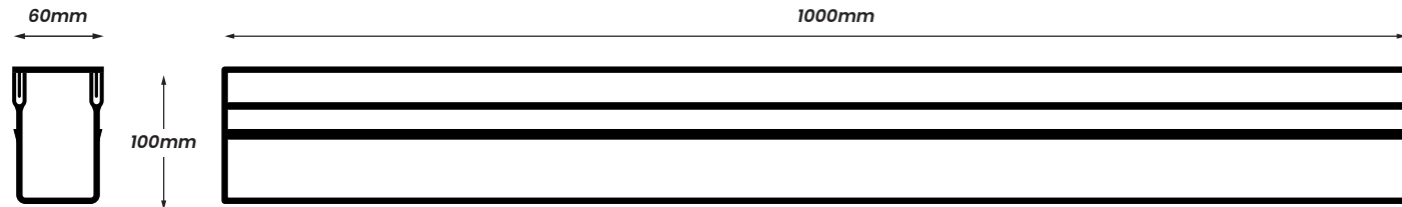
Depth Options



100mm

THRESHOLD Luxe - 100mm

The Threshold Luxe is an excellent system for drainage in front of doorways. Its slimline, sleek finish allows it to blend seamlessly within its surroundings while the functionality of the channel allows water to drain effectively from in front of your doorways and patios. All channels are available in 1mtr lengths.



Accessories

T-Junctions

The Threshold T-Junctions make the T section angles between channels, so no cutting is needed to connect them. Connectors will be needed to connect the channel to the T-Junctions at either end.



Corner Units

The Threshold Corner Units can be used to make 90 Degree angles between channels so that if you must take your run around corners no cutting is needed. Connectors connect the channel to the corner units at either end.



Connectors

Connectors are used between each length of the channel if you are connecting them in a row. The connector provides a watertight connection between channels.

Connectors are also available with an outlet.



End Caps

End caps can be used at either end of the channel to stop the flow of water.

Threshold End Cap Outlets can be used to connect the channel horizontally to an outlet using a 50mm diameter pipe.



Accessories - Specifications

Reference	Description	Height (mm)	Overall Width	Weight (KG)	Load Class	Outlet (mm)
TJ.TH.LUXE.S	Silver T-Junction	100	60		A15	-
TJ.TH.LUXE.B	Black T-Junction	100	60		A15	-
TJ.TH.LUXE.C	Corten T-Junction	100	60		A15	-
CU.TH.LUXE.S	Silver Corner Unit	100	60		A15	-
CU.TH.LUXE.B	Black Corner Unit	100	60		A15	-
CU.TH.LUXE.C	Corten Corner Unit	100	60		A15	-
C.TH.LUXE	Connector				A15	-
CO.TH.LUXE	Connector Outlet				A15	-
EC.TH.LUXE	End Cap	100	60		A15	-
EO.TH.LUXE	End Cap Outlet	100	60		A15	50

Grating Options - 100mm



Silver Grate (A15)



Black Grate (A15)



Corten Grate (A15)

Disclaimer - Please be aware that our Corten Steel grating top develops a unique rustic appearance once exposed to rainwater. This transformation, known as Patina is caused by a layer of oxidation that forms on the surface and protect the metal from further corrosion. During this transformation process, the rainwater may also adapt a rusty brown colour which can cause stains when it comes into contact with other surfaces

Grating - Specifications

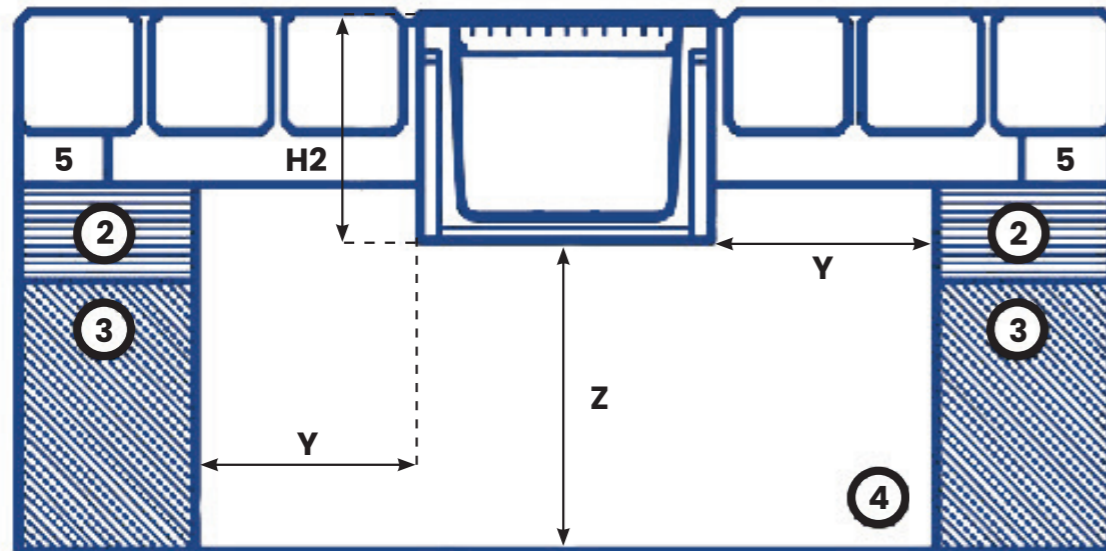
Reference	Description	Length (mm)	Slot Width	Overall Width	Load Class	SafeHeel
GR.TH.LUXE.S	Silver Grating	1000	8	100	A15	✓
GR.TH.LUXE.B	Black Grating	1000	8	100	A15	✓
GR.TH.LUXE.C	Corten Grating	1000	8	100	A15	✓

Installation Guide

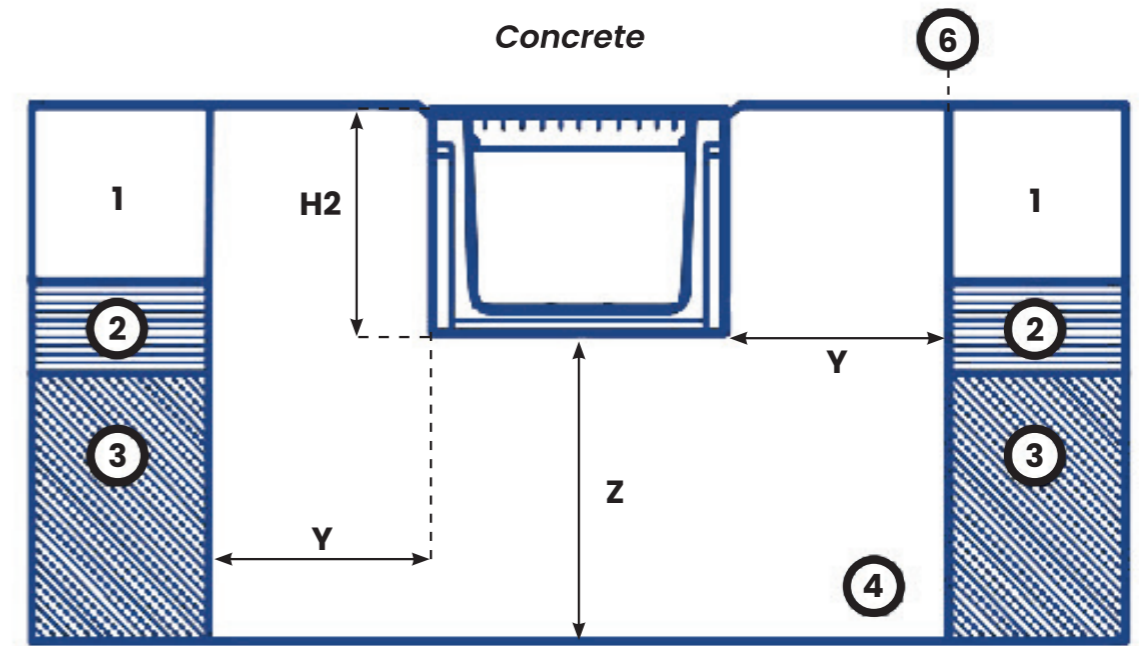
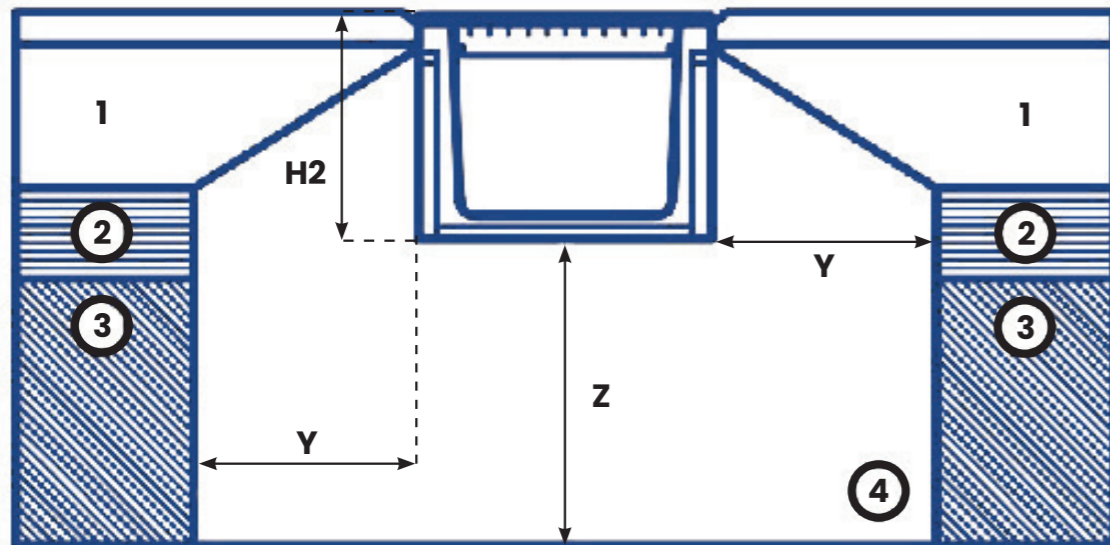
Ground conditions must be suitable and all dimensions shown are the minimum requirement. Engineering advice should be taken where necessary and any questions should be directed to Polycon's technical team by emailing us at sales@polycon.co.uk or by calling us on **0151 424 9747**.

1	2	3	4	5	6
Concrete	Sub Base	Earth	Concrete Haunch	Sand Layer	Expansion Joint

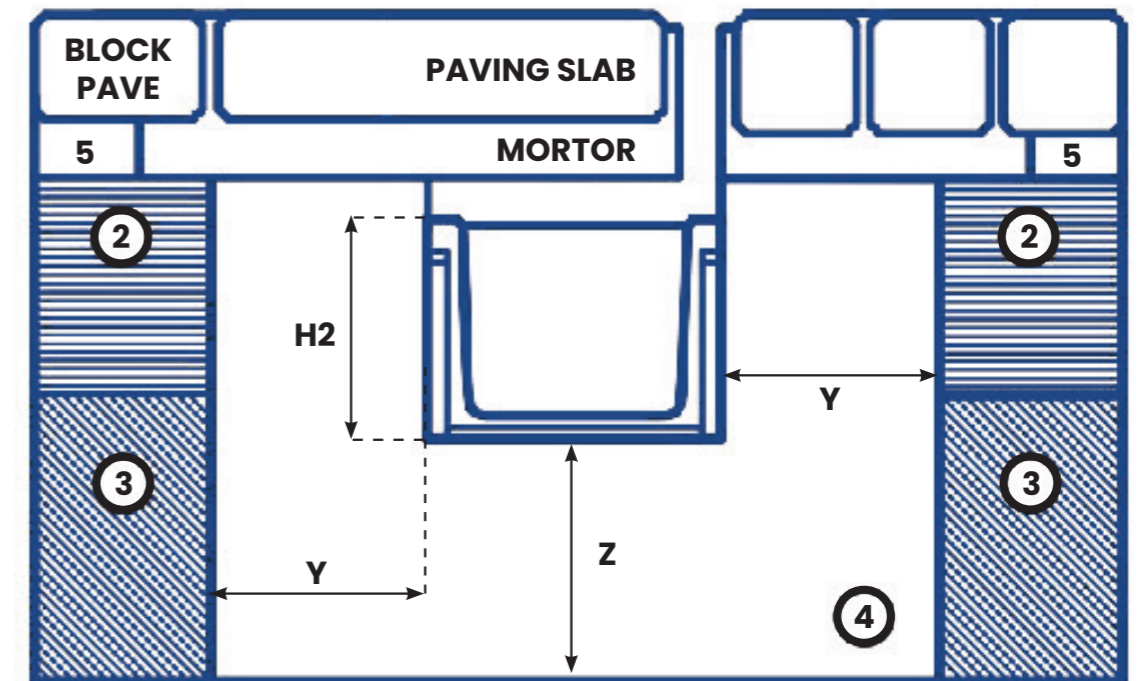
Block Paving



Tarmac



Paveslot



Load Class	A15	B125	C250
H2 - Channel Height	Channel Height	Channel Height	Channel Height
Y - Minimum Surround	100mm	150mm	150mm
Z - Minimum Surround	100mm	150mm	150mm
T1 - Minimum Depth	40mm	40mm	40mm
T2 - Maximum Depth	95mm	55mm	55mm

** Minimum Concrete Haunch 25 N/mm².
Detail A allow for overbuild of 3mm to 5mm above the grating surfaces.



Polycon Surface Water Drainage

**Widnes Business Park
Foundry Lane
Widnes
Cheshire
WA8 8UB**

**www.polycon.co.uk
0151 422 9747
sales@polycon.co.uk**

Service . Range . Knowledge