



LITE XTRA PAVESLOT

Service . Range . Knowledge

Welcome To Polycon

Polycon is identified as one of the leading manufacturers, distributors, and suppliers of channel drainage in the UK. We focus towards creating a diverse range of water solutions, in a variety of different materials, including composite, polymer concrete, SMC, and steel.

Polycon's unique look at the market and expert knowledge of the industry ensures that we can supply a wide range of high-quality products suitable for any application. This includes building drainage, landscaping, sports facilities, distribution centres, highways, and airports.

Our design team provides innovative and efficient hydraulic solutions to ensure we can offer the best product/ solution for your drainage needs. We have a vast and experienced overview of our working industry and have been manufacturing, distributing, and selling channel drainage for over 8 years. We thrive on acting upon your feedback to improve and develop our products to fit flawlessly with the constantly changing market and demand from our customers.

At Polycon we focus our attention on professionals who sit within the construction industry, targeting our products to specifiers, architects, engineers, and contractors. Therefore, we understand the importance of expanding our product portfolio to create the most efficient surface water drainage systems.

We are a dynamic and evolving company with a focus on quality, innovation, and service. As a result, you can rely on us to handle your project needs in every way to the best of our ability.

Contents

<i>Lite Xtra Paveslot</i>	3
<i>Lite Xtra Paveslot Overview</i>	5
<i>Accessories</i>	7
<i>Gratings</i>	8
<i>Installation Guide</i>	9

LITE XTRA PAVESLOT

Polycon's Lite Xtra Paveslot is a cutting-edge drainage solution that revolutionizes the way we manage water runoff in landscaped areas. It offers a host of benefits that cater to both form and function, making it an excellent choice for enhancing the aesthetics of outdoor spaces while efficiently managing water drainage.

One of the standout advantages is its ability to elevate the aesthetics of landscaped areas. Traditional drainage systems can often disrupt the visual appeal of gardens, walkways, and outdoor spaces. However, Polycon's Lite Xtra seamlessly integrates with its surroundings, allowing for unobtrusive drainage. Its discrete design ensures that the natural beauty of the landscape remains unblemished, making it a perfect choice for gardens, parks, and other visually sensitive areas.

The system's smooth internal surface is another remarkable feature. This ensures efficient water flow, minimizing the risk of blockages and obstructions. The high-quality materials used in Polycon's Lite Xtra guarantee long-lasting performance, even in demanding outdoor environments. This durability not only reduces maintenance costs but also ensures that the drainage system continues to function effectively for years to come, providing peace of mind to property owners and landscapers alike.

Perhaps one of the most appealing aspects of Polycon's Lite Xtra is its efficient and easy installation process. Landscaping projects often involve tight timelines, and the simplicity of integrating this drainage system can significantly expedite the construction process. Its user-friendly design means that it can be seamlessly incorporated into various hardscaping and landscaping elements, from patios to walkways, without causing delays or complications.

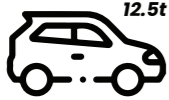


Load Class



1.5t

A15
1.5 tonnes



12.5t

B125
12.5 tonnes

Applications

- Patios
- Paved areas
- Shopping areas
- Pedestrian areas

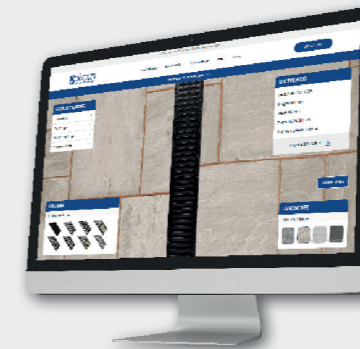
LITE XTRA PAVESLOT

VIRTUAL LANDSCAPE

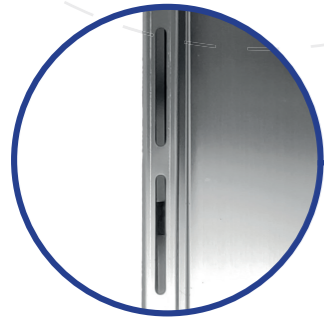
Not sure what you are looking for?

Check out our Lite Xtra Paveslot systems against multiple paving backgrounds on our virtual landscape feature. You can mix and match gratings against multiple backgrounds to achieve the ultimate desired look. Each visual can be downloaded as a PDF and sent to customers along with a technical overview of your chosen system.

Try today at www.polycon.co.uk.



LITE XTRA PAVESLOT- Overview



Grating Options

Polycons Lite Xtra Drainage Channel offers a versatile selection of gratings to suit diverse application needs. The composite grating combines durability with a lightweight design. Whilst, the stainless-steel grating, known for its exceptional corrosion resistance and sleek appearance. Lastly, the galvanized steel grating offers robustness and cost-effectiveness, making it ideal for applications where a balance between durability and affordability is required.

Material

The Polycons Lite Xtra Drainage Channel stands out as a top-tier solution due to its construction from advanced composite materials. This innovative choice of materials ensures exceptional durability, resistance to corrosion, and a longer lifespan compared to traditional drainage channels.



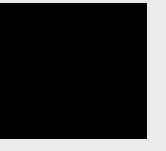
SAFEHEEL

Outlet

The bottom outlet in the base of the channel allows for downward drainage into a 110mm sewer connection. Break the outlet in the marked area with a hammer and then insert the outlet in the channel fixing it with the four screws supplied.

Colour Options

Black



Load Classes



A15



B125

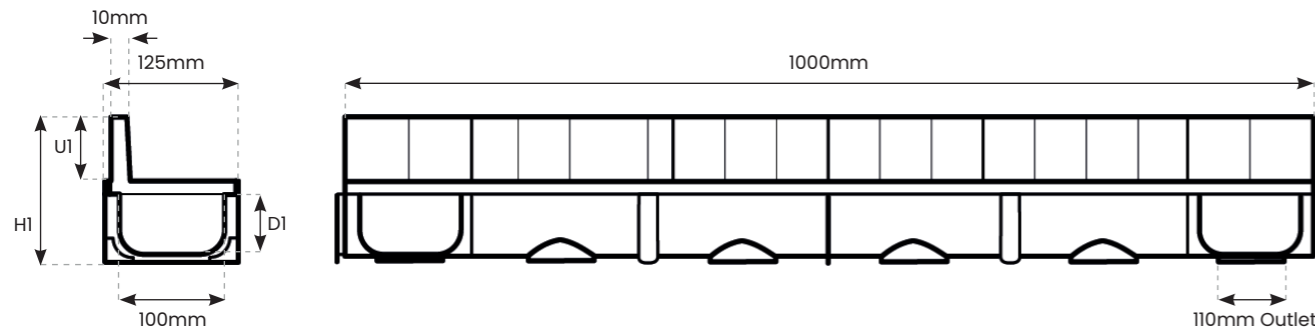
Depth Options



80mm

LITE XTRA PAVESLOT

The Polycon Lite Xtra system is the perfect channel for applications where a modest and understated appearance is desired. Our Lite Xtra Paveslot is a lightweight drainage channel constructed of high-density polyethylene and has been designed with paved areas in mind. The Slot detailing allows you to marry the grating up with the surface/ paved area to create that seamless look.



Accessories

Corner Units

Corner units are available for the Paveslot Channel, which works as a 4 Way Junction or T-Junction. The corner unit also doubles as an access unit to gain entry to the channel for cleaning and maintenance purposes.



Composite Corner Unit

Galvanised Steel Corner Unit

Stainless Steel Corner Unit

Vertical Outlet & Leaf Trap

The Paveslot 110mm Vertical Outlet sits directly underneath the channel which allows 110mm pipes to be connected to the channel allowing water to be quickly taken away from the channel.



Vertical Outlet



Leaf Trap

End Cap & End Cap Outlet

End caps for the Paveslot can be used at the end of your channel run to stop the flow of water.



End Cap



End Cap Outlet

Accessories - Specifications

Reference	Description	Height (H)	Overall Width	Length	Load Class	Outlet
CU.LX.CG	Lite Xtra Corner Unit + Composite Grating	162mm	125mm	135mm	A/B	110mm
CU.LX.GSG	Lite Xtra Corner Unit + Galvanised Steel Grating	162mm	125mm	135mm	A/B	110mm
CU.LX.SSG	Lite Xtra Corner Unit + Stainless Steel Grating	162mm	125mm	135mm	A/B	110mm
VO.LX	Lite Xtra Vertical Outlet	60mm	125mm	125mm	-	110mm
ECO.LX	Lite Xtra End Cap Outlet	120mm	125mm	52mm	-	110mm
LT.LX	Lite Xtra Leaf Trap	100mm	100mm	100mm	-	-
EC.LX	Lite Xtra End Cap	80mm	125mm	18mm	-	-

Grating Options



Composite Paveslot (B125)



Galvanised Steel Paveslot (B125)



Stainless Steel Paveslot (B125)

Grating - Specifications

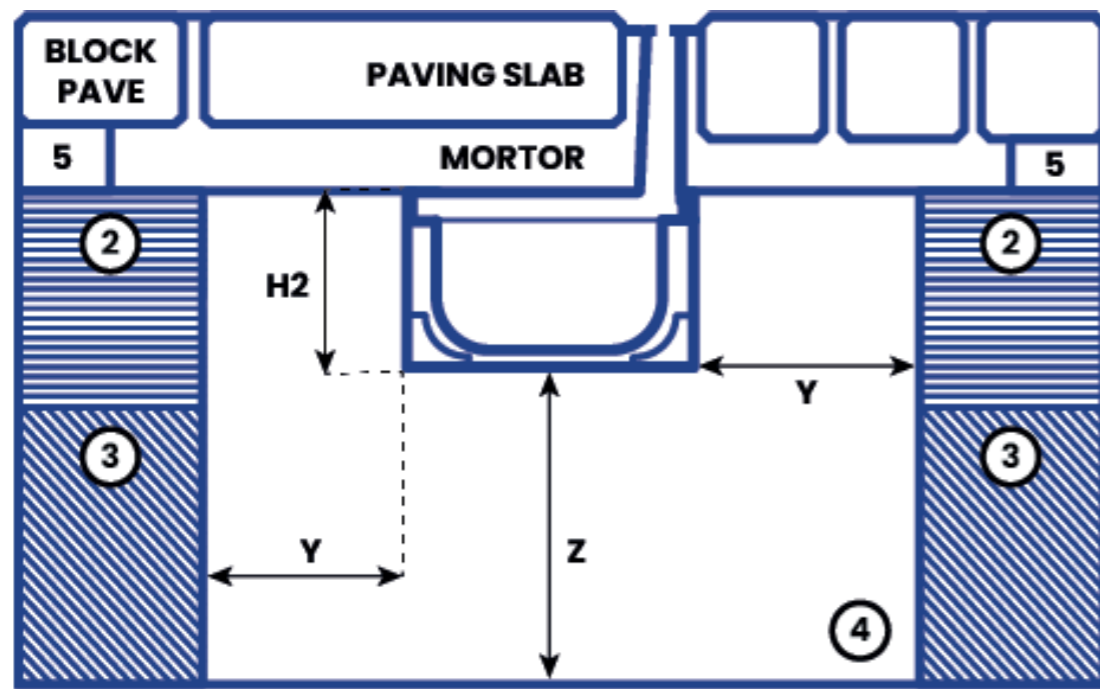
Reference	Description	Internal Width	Overall Width	Overall Depth(H1)	Internal Depth(D1)	Upstand Depth(U1)	Load Class	Safe Heel
LX.PAV.CG	Lite Xtra 1m + 2x0.5m Composite Paveslot Grating	100mm	125mm	140mm	60mm	60mm	A/B	Yes
LX.PAV.GSG	Lite Xtra 1m + 1m Galvanised Steel Paveslot Grating	100mm	125mm	145mm	60mm	60mm	A/B	Yes
LX.PAV.SSG	Lite Xtra 1m + 1m Stainless Steel Paveslot Grating	100mm	125mm	145mm	60mm	60mm	A/B	Yes

Installation Guide

Ground conditions must be suitable and all dimensions shown are the minimum requirement. Engineering advice should be taken where necessary and any questions should be directed to Polycon's technical team by emailing us at sales@polycon.co.uk or by calling us on **0151 424 9747**.

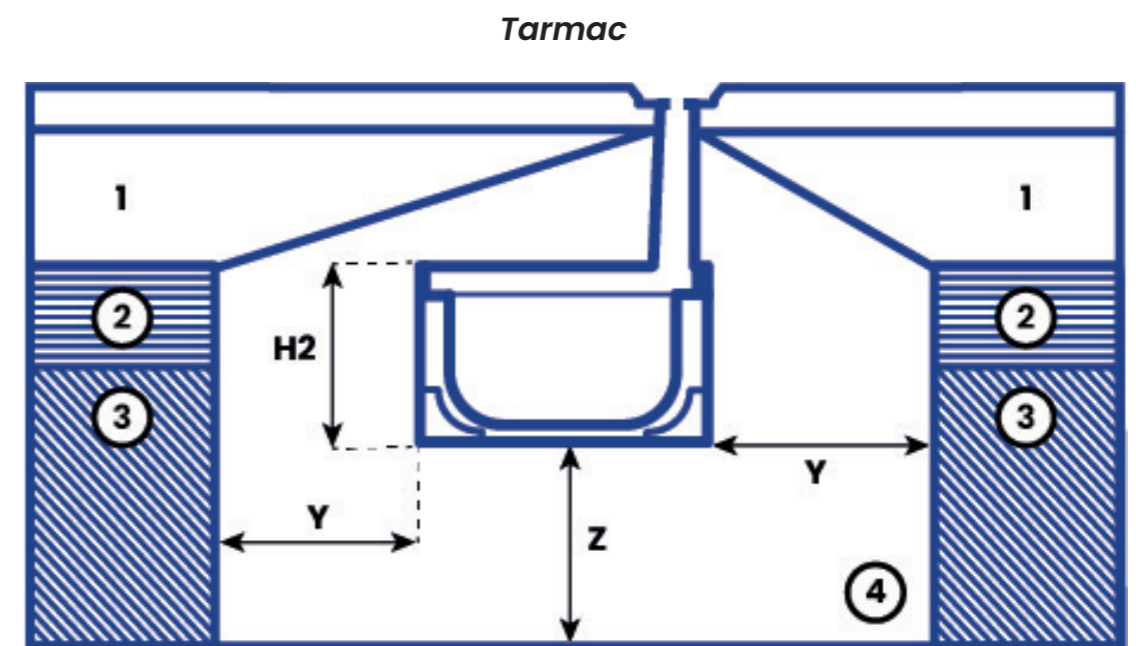
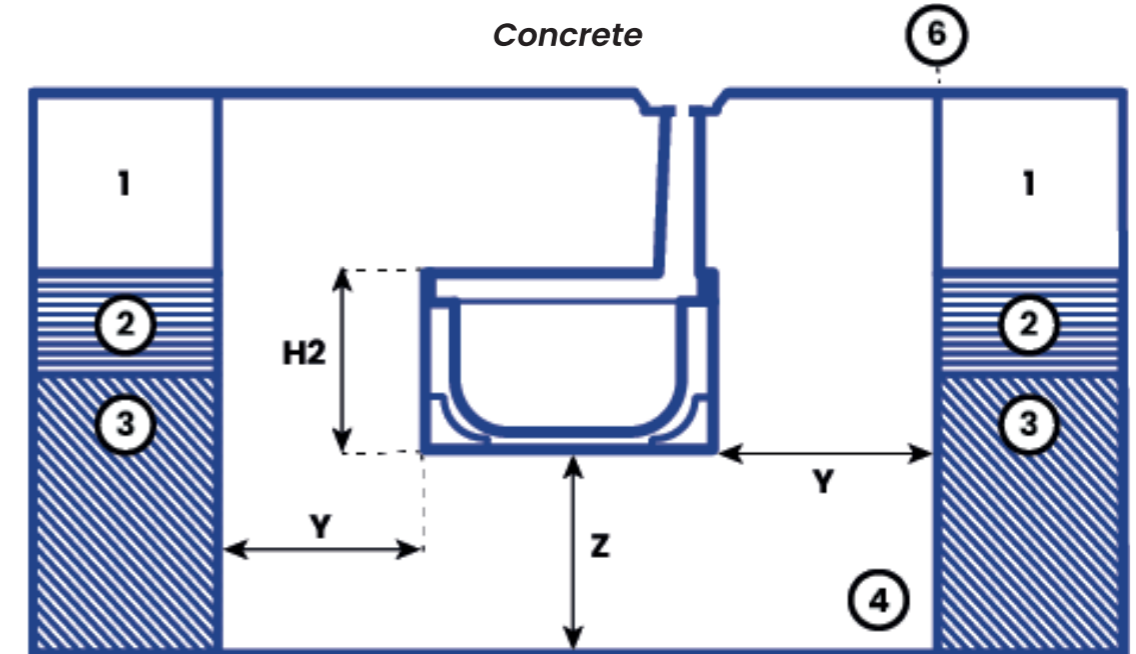
1	2	3	4	5	6
Concrete	Sub Base	Earth	Concrete Haunch	Sand Layer	Expansion Joint

Block Paving



Load Class	A15	B125
H2 - Channel Height	Channel Height	Channel Height
Y - Minimum Surround	100mm	150mm
Z - Minimum Surround	100mm	150mm
T1 - Minimum Depth	40mm	40mm
T2 - Maximum Depth	95mm	55mm

** Minimum Concrete Haunch 25 N/mm².
Detail A allow for overbuild of 3mm to 5mm above the grating surfaces.





Polycon Surface Water Drainage

**Widnes Business Park
Foundry Lane
Widnes
Cheshire
WA8 8UB**

**www.polycon.co.uk
0151 422 9747
sales@polycon.co.uk**

Service . Range . Knowledge