

# THRESHOLD Mono

The Threshold Mono is a versatile and efficient solution for effective water management. The all-in-one system swiftly collects and discards water, ensuring seamless drainage. Whether it's heavy rainfall or accidental spills, the Threshold will efficiently redirect water away from entrances, effectively preventing potential flooding and water damage. Its rapid water management capabilities enhance safety and reduce maintenance costs.

One of the standout features of the Threshold Mono is its lightweight construction. This system is designed for easy handling and hassle-free installation, thanks to its lightweight build. Furthermore the Threshold Mono is resistant to chemicals and dust ensuring it maintains functionality and appearance even in harsh and corrosive environments.

The Threshold Mono is a comprehensive solution to linear drainage, its discreet and minimalistic design seamlessly integrates with various architectural styles, enhancing the aesthetic appeal of any space. Additionally, the Threshold Mono is simple and easy to install which eliminates the need for digging trenches. With its water-tight, secure protection and a non-directional design of the Threshold Mono eliminates the need for right- or left-hand fittings. This system provides an efficient and cost-effective solution for managing water and ensuring long-term structural integrity.

## Load Class



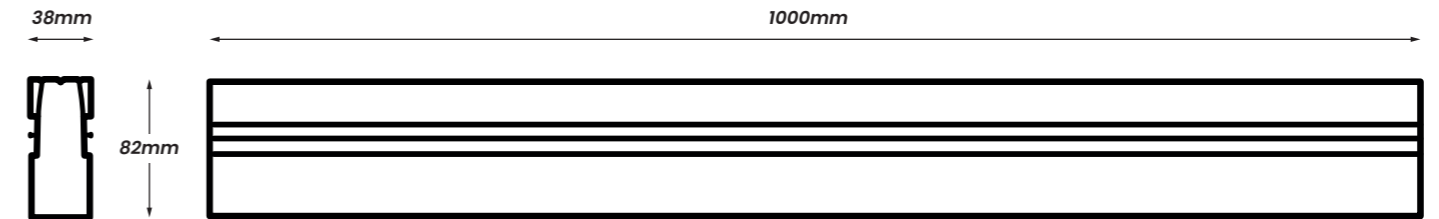
A15  
1.5 tonnes

## Applications

- Patios
- Gardens
- Decking
- Pool Areas
- Pedestrian Areas

# THRESHOLD Mono - 82mm

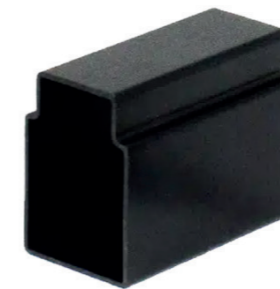
The Threshold Mono is manufactured from high-density polyethylene. It is durable, lightweight, and has an aesthetic black finish. With its integrated grating and discreet 2mm inlet slots, this channel is ideal for smaller urban projects.



## Accessories

### Connectors

A connector is needed if you are placing multiple lengths of channels in a run. They are required between every piece of channel to create a secure watertight seal.



### End Caps

An End Cap is needed at either end of the run, or both, if you need to stop the water from leaving the channel.

An End Cap Outlet can be used at the end of the run to allow water to be taken to your exterior drainage pipes and away from the channel.



### Accessory - Specifications

Reference	Description	Height (mm)	Overall Width	Weight (KG)	Load Class	Outlet (mm)
C.TH.MONO	Mono Connector	84	40		A15	-
EC.TH.MONO	Mono End Cap	82	38		A15	-
EO.TH.MONO	Mono End Cap Outlet	82	38		A15	30

# THRESHOLD Mono - Overview



## Grating Options

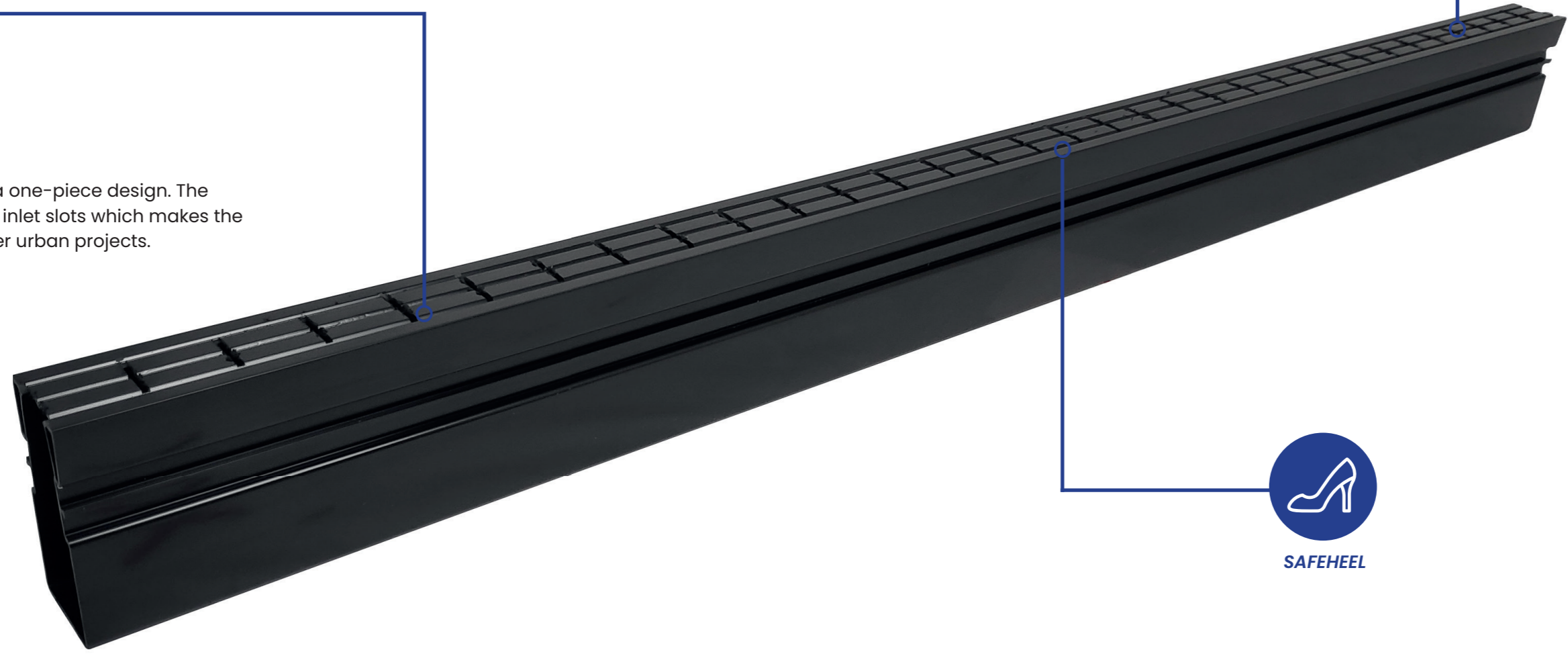
The Threshold Mono is a one-piece design. The black grating has 2mm inlet slots which makes the channel ideal for smaller urban projects.

## Material

The Threshold Mono is made from high-density polyethylene. This material is durable and lightweight making for an easy installation. Its black finish adds an aesthetic feel to smaller urban projects.

## Colour Options

Colour



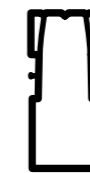
SAFEHEEL

## Load Classes



A15

## Depth Options



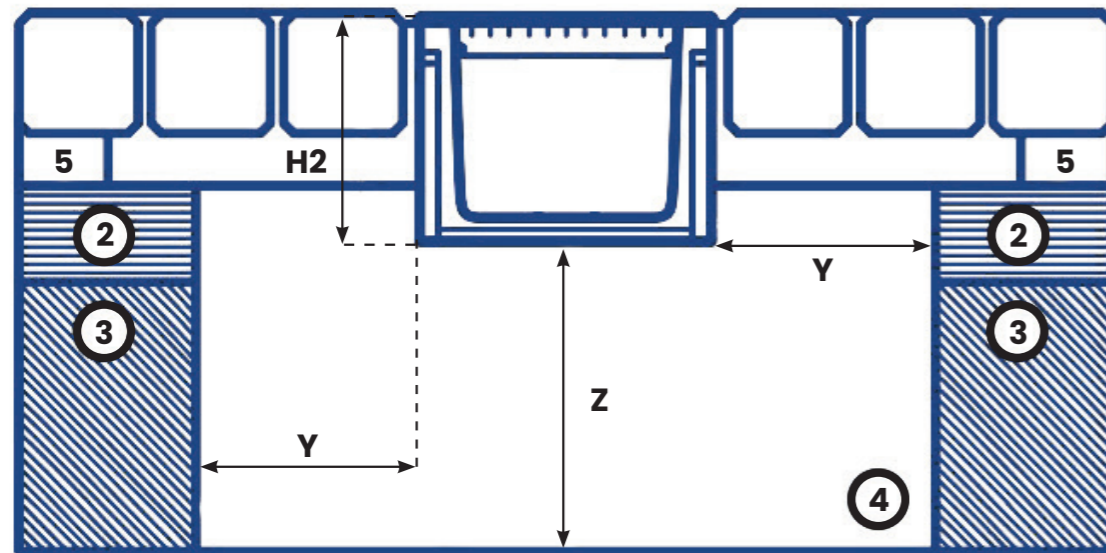
82mm

# Installation Guide

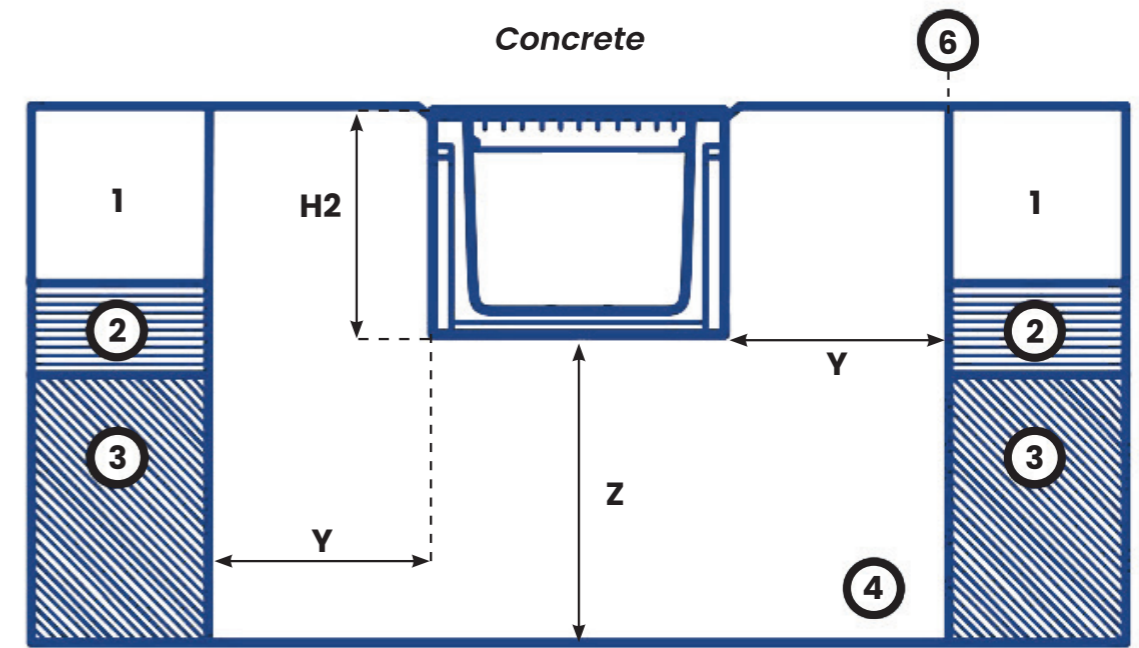
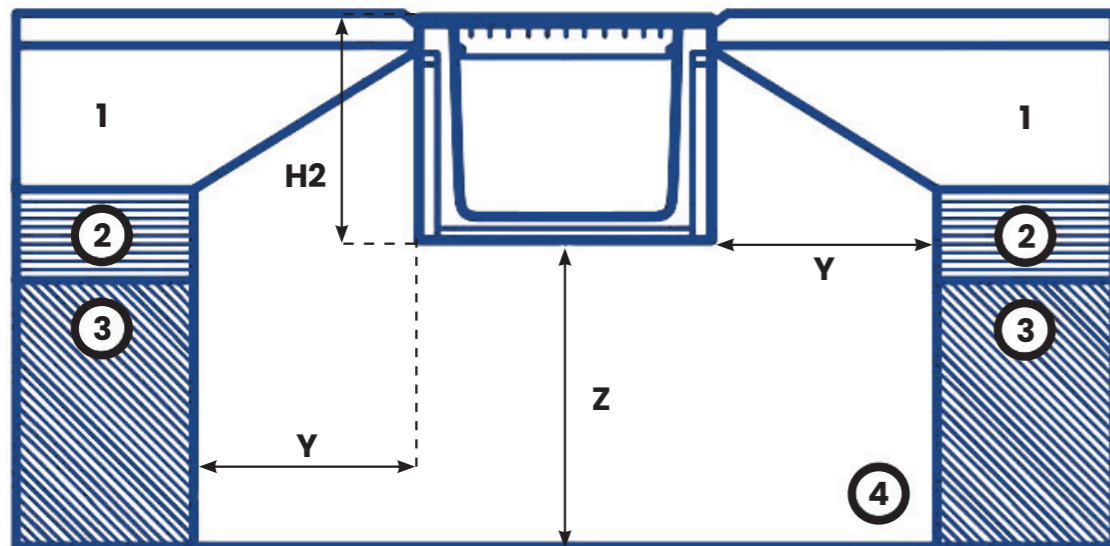
Ground conditions must be suitable and all dimensions shown are the minimum requirement. Engineering advice should be taken where necessary and any questions should be directed to Polycon's technical team by emailing us at [sales@polycon.co.uk](mailto:sales@polycon.co.uk) or by calling us on **0151 424 9747**.

1	2	3	4	5	6
Concrete	Sub Base	Earth	Concrete Haunch	Sand Layer	Expansion Joint

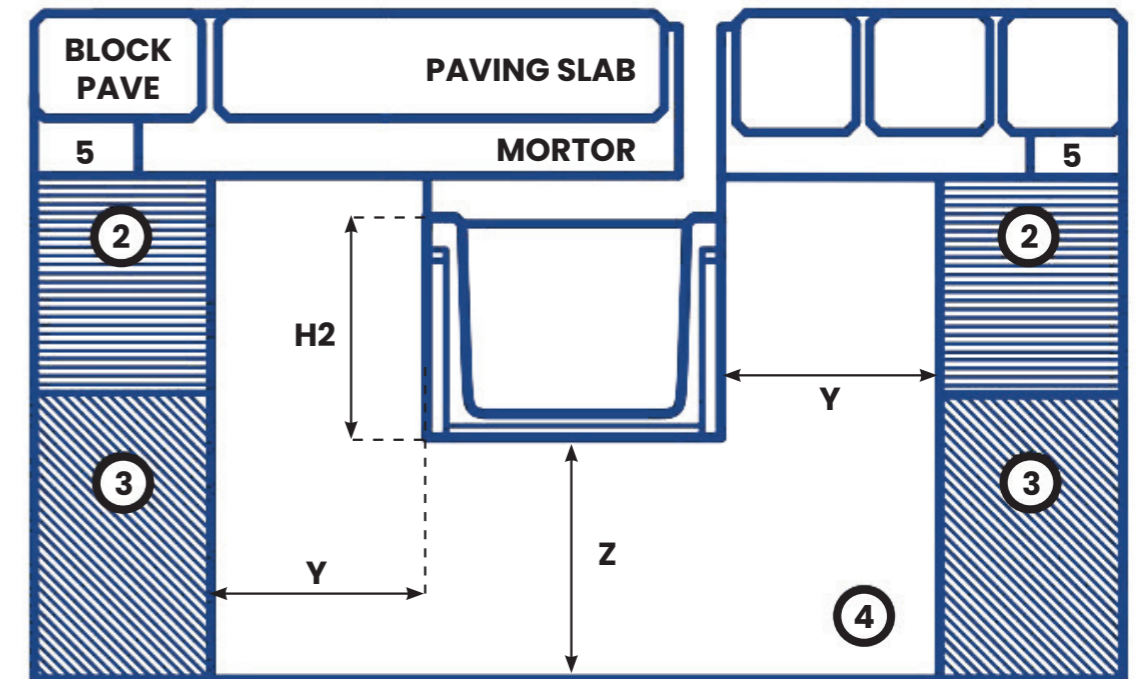
**Block Paving**



**Tarmac**



**Paveslot**



Load Class	A15	B125	C250
H2 - Channel Height	Channel Height	Channel Height	Channel Height
Y - Minimum Surround	100mm	150mm	150mm
Z - Minimum Surround	100mm	150mm	150mm
T1 - Minimum Depth	40mm	40mm	40mm
T2 - Maximum Depth	95mm	55mm	55mm

\*\* Minimum Concrete Haunch 25 N/mm<sup>2</sup>.  
Detail A allow for overbuild of 3mm to 5mm above the grating surfaces.



**Polycon Surface Water Drainage**

**Widnes Business Park  
Foundry Lane  
Widnes  
Cheshire  
WA8 8UB**

**[www.polycon.co.uk](http://www.polycon.co.uk)  
0151 422 9747  
[sales@polycon.co.uk](mailto:sales@polycon.co.uk)**

***Quality . Innovative . Service***